

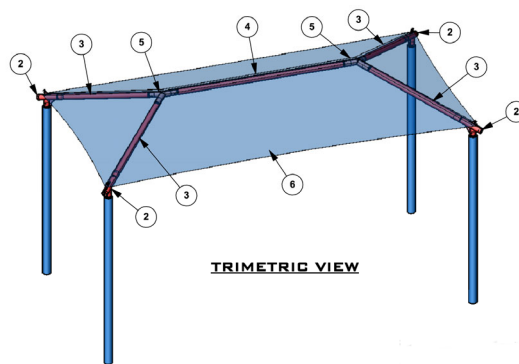
**DOG ON IT PARKS**

DOG-ON-IT-PARKS.COM

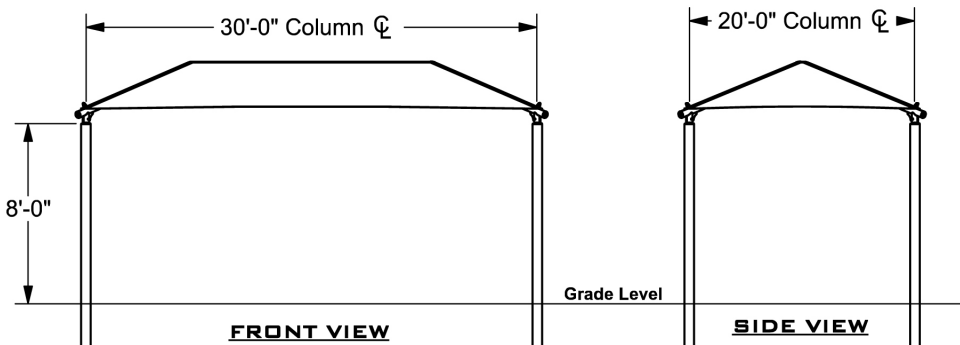
This option offers a generous 600 square feet of protection from the elements with UV stabilized, high density polyethylene fabric which blocks up to 97% of harmful UV rays and heavy duty steel support frames. For more blustery regions, shelters have a warranted wind rating for gusts (3 seconds) of 90 mph, and a snow load of 5 PSF.



**Top and Side Views:**



TRIMETRIC VIEW



# 8205 30' x 20' Shade Shelter

Embedded or  
surface mount  
steel frames

16 fabric and 12  
post color options

Includes sealed  
engineered  
drawings

UV stable fabric

**DOG-ON-IT-PARKS**

2211 37th St  
Everett, WA 98201  
P: 877-348-3647

[www.dog-on-it-parks.com](http://www.dog-on-it-parks.com)

Refer to installation manual for  
more detailed specifications

Copyright 2019

